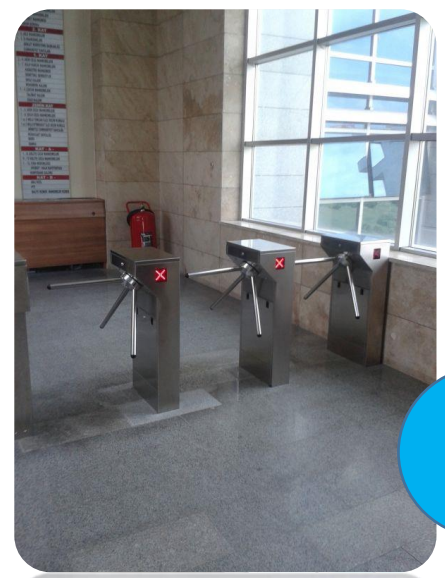




Tripod Turnstiles

The SENTRY



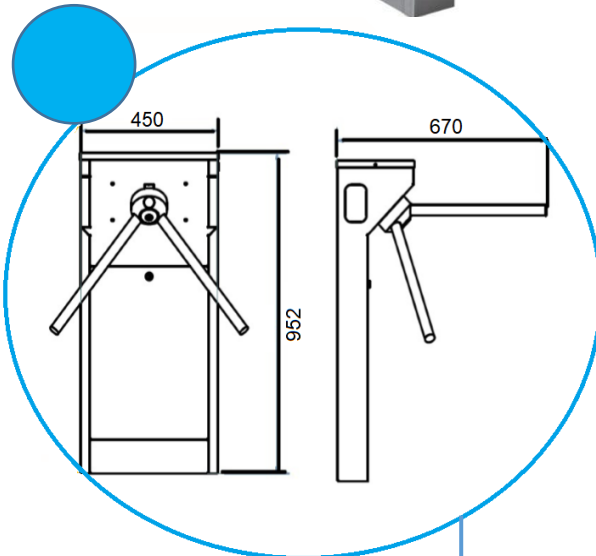
**ROBUST MECHANISM-INTENSIVE
USE-LONG LIFE SPAN-VANDAL
RESISTANT-INDOOR OUTDOOR USE**

The Sentry turnstile provides the basic access control solution to secure various locations. The mechanism is produced to ensure long years of trouble free use, especially for locations with intense passage flows.

All the gate models are space efficient security barriers with a compact design, yet offer sufficient space to integrate any access control system. They can be mounted with card readers, biometric readers, remote control and push button units via simple dry contact.

The Sentry model is a bidirectional turnstile with a passage rate of up to 30 person/minute. Status indicator LED lights are located on both directions of the turnstile, in green and red colors to show allowed passage directions. The turnstile is produced in 304 grade stainless steel and is suitable for outdoor conditions.

In case of an emergency or power failure, the turnstile provides a fail-safe working solution by allowing free passage on both directions.



Specifications

- **Operation Voltage:** 24VDC+20%
- **Power Consumption:** 30 W
- **Tripod Locking:** With 24 V DC solenoids
- **Motion Control:** With hydraulic shock absorber
- **Operation Temperature:** -20°C -+ 70°C
- **Indicators:** LED on both directions
- **Body:** 304 Grade SS
- **Weight:** 42 Kg
- **Dimensions:** 250x450x950mm
- **Optional Accessories:** Drop-Arm, button unit, card reader, biometric reader



B.E.C.
PERIMETER SECURITY

CONTACT

T: 02089654178 E: info@becuk.london

Address: 2, River Brent Business Park, Trumpers Way, Ealing
London W7 2QA