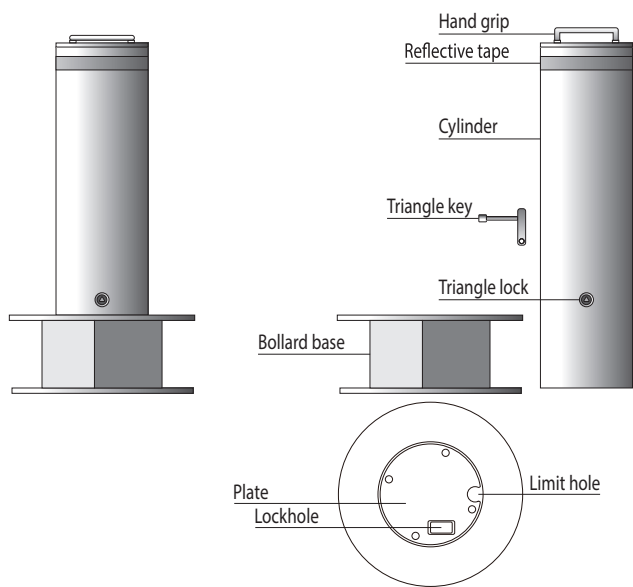


Removable Bollard



Instruction

Ver. 2018

Installation

- Groove
 - Wide: Dia. of flange + 200mm
 - Depth: 245mm
 - Length: Base on the quantity & distance between each bollards
 - Water drainage (if needed, not compulsive)
 - Subcrust 100mm concrete on the base
- Installation
 - Move "the bollard base" in
 - Adjust the direction of the hand grip and lock
 - * While there're more than one bollard make sure they face the same direction
 - * The four screws under the bottom of "the bollard base" can be removed or kept
- Concrete pouring
 - * To avoid splashing on the stainless steel surface, please cover it with the packing bag
- Concrete set, ready to use.

Usage

- First time use: Align the triangle lock & the lockhole
Insert the cylinder into "the bollard base"
- Lock:
 - Rotate the triangle key clockwise slightly
 - While the cylinder cannot be pulled out by hand grip, means it is perfectly locked
- Open:
 - Rotate the triangle key counterclockwise (appr.30°)
 - Pull out the cylinder at the same time
 - Rotate back

Maintenance

- Clean the surface regularly
- Checking the lock/hand grip regularly
- Fastening the screws regularly
- Dredge the drain pipe (if there is one)

Service

- * Start from the shipment date, 12 months warranty.
- * Service mode: "Parts exchange" + free remote service.
- * Response time: Within 24 hours.
- * Damage by force majeure or misuse is excluded from warranty.

Illustration

